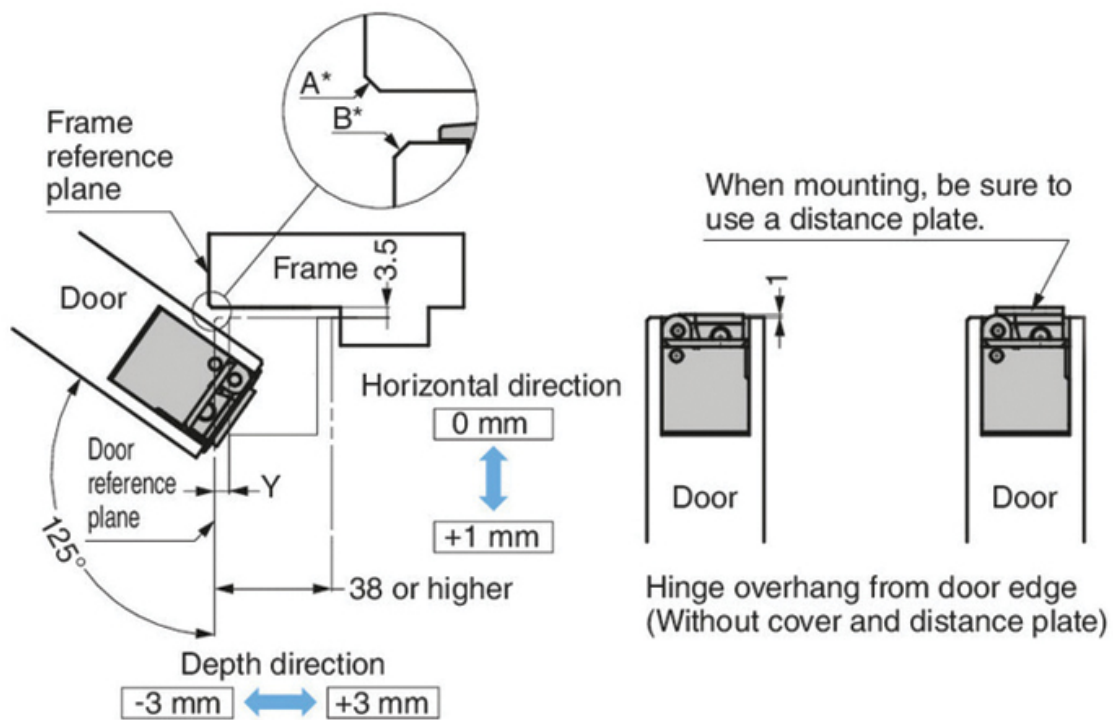


# CHARNIÈRE INVISIBLE

SUGATSUNE



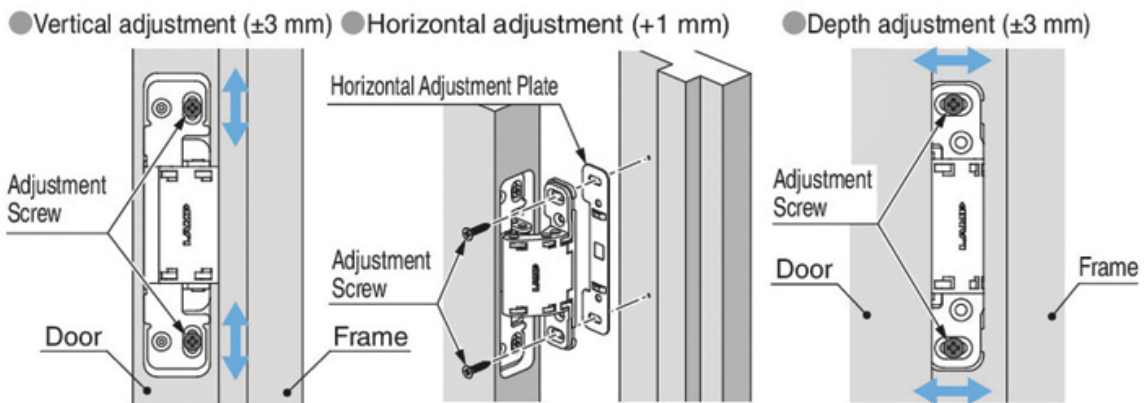
<https://www.qama.fr/charniere-invisible-p69649>



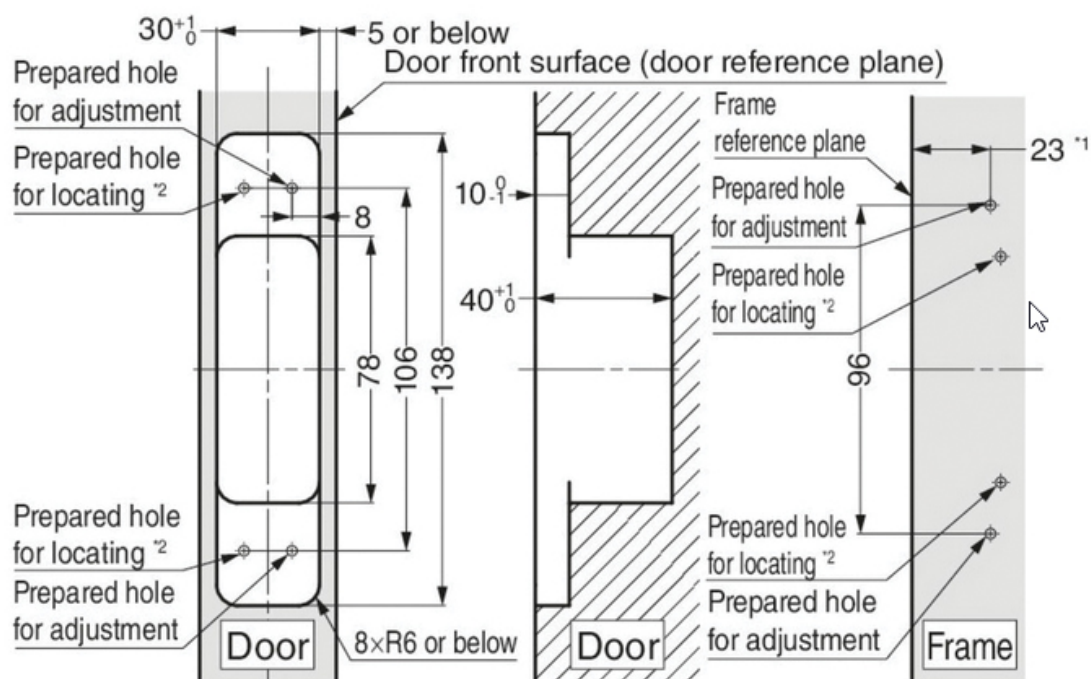
Tel : 02 43 13 49 49

Fax : 02 43 30 26 16

[www.qama.fr](http://www.qama.fr)



<https://www.qama.fr/charniere-invisible-p69649>



<sup>\*1</sup> When door machining margin is 5 mm.

<sup>\*2</sup> The position of prepared hole for locating changes according to adjustment.