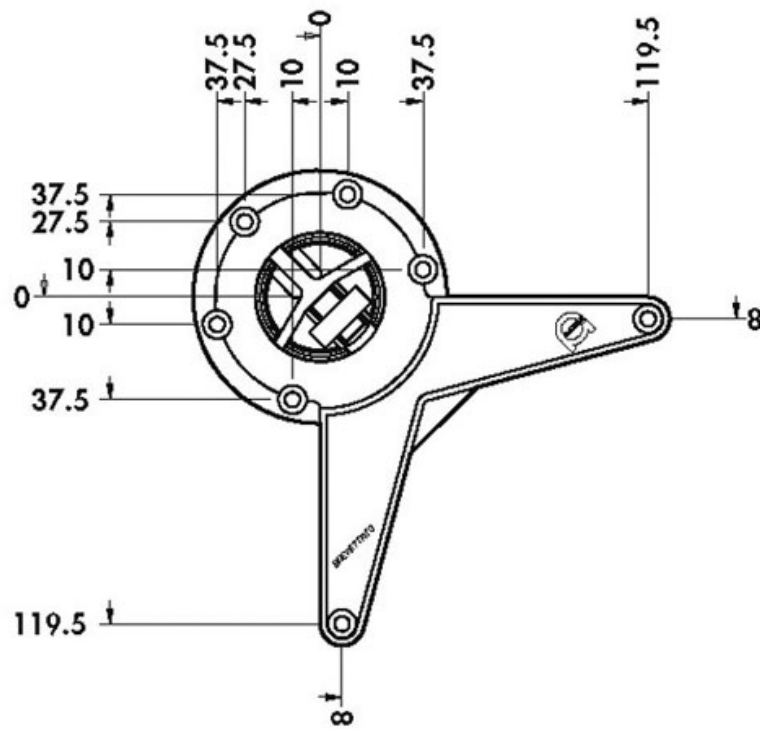


PIED DE TABLE ALUMINIUM CANNELE Ø60MM

CAMAR



<https://www.qama.fr/pied-de-table-aluminium-cannele-o60-p677>



Tel : 02 43 13 49 49

Fax : 02 43 30 26 16

www.qama.fr