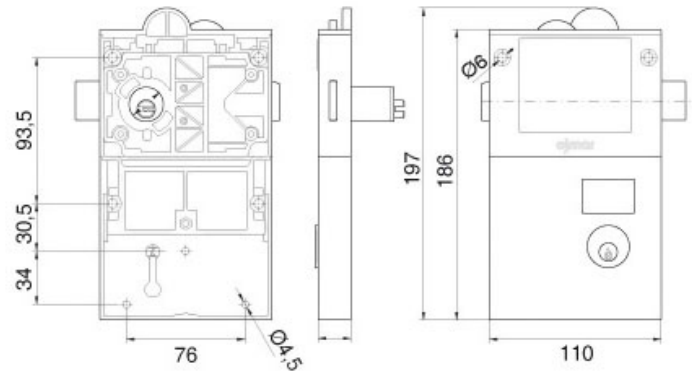


# TIRELIRE LOCKR CLASSIC

OJMAR



<https://www.qama.fr/tirelire-lockr-classic-p58790>



Tel : 02 43 13 49 49

Fax : 02 43 30 26 16

[www.qama.fr](http://www.qama.fr)